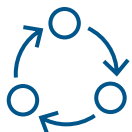


New Product Introduction



Enables the loading and visualization of CAD and other Product information

Overview

The New Product Introduction module supports the loading, association and visualization of an ECAD file (of type ODB++ or an MCAD (of type STEP or STL) with a Product. It also

supports the loading of a Product BOM file with the component information. The CAD file can be used later to create work instructions as part of a checklist.

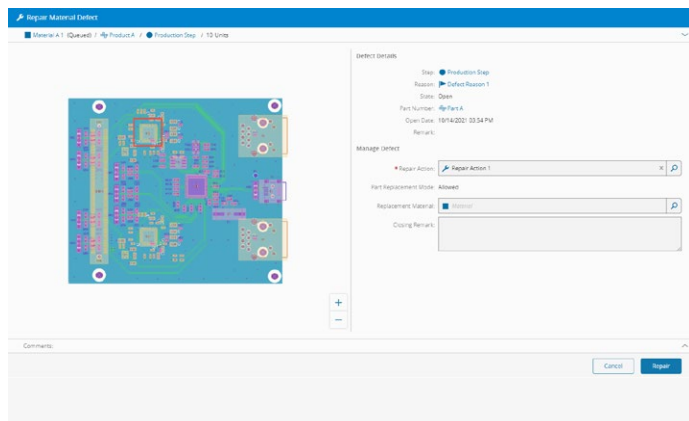


Figure 1 ECAD visualization example

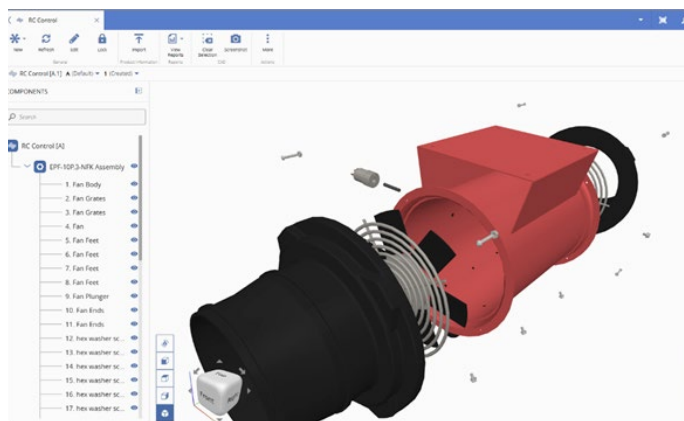


Figure 2 MCAD file visualization example

Key Features

- Supports the loading and visualization of an ECAD file that can be used to create work instructions.
- Supports the loading and visualization of a product BOM file.
- Supports capturing material defects manually or through an automated inspection equipment.
- Supports managing the lifecycle of a defect.
- Supports recording defects using a CAD file.
- Supports the creation of BOM objects based on the imported BOM information.

Benefits

- Faster new product introduction
- Improved operator information and reduction in the opportunity for errors



Critical
manufacturing 11.3

Disclaimer · The information contained in this document represents the current view of Critical Manufacturing on the issues discussed as of the date of publication. Because Critical Manufacturing must respond to changing market conditions, it should not be interpreted to be a commitment on the part of Critical Manufacturing, and Critical Manufacturing cannot guarantee the accuracy of any information presented after the date of publication. This document is for informational purposes only. Critical Manufacturing makes no warranties, express, implied or statutory, as to the information herein contained.

contact@criticalmanufacturing.com · www.criticalmanufacturing.com